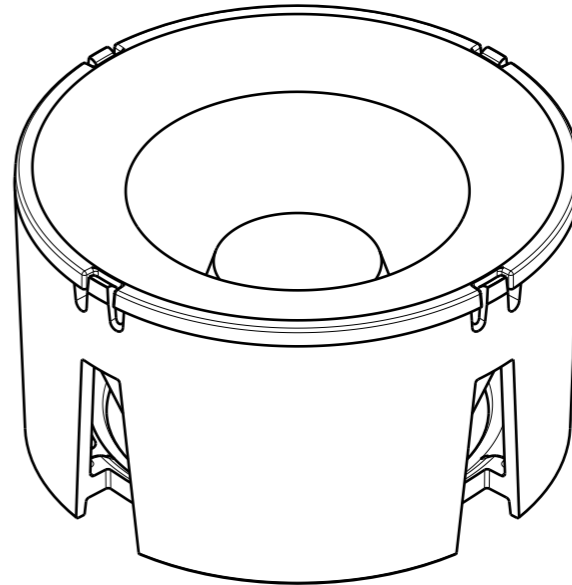
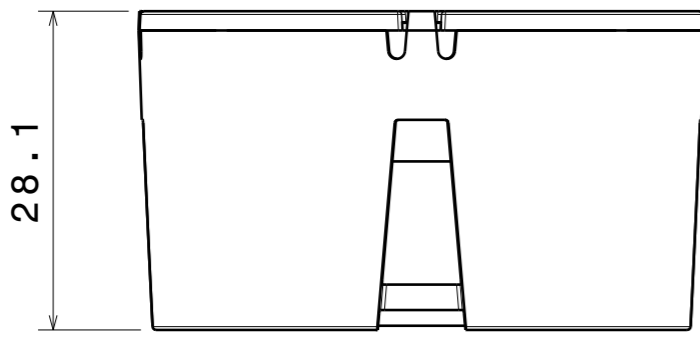


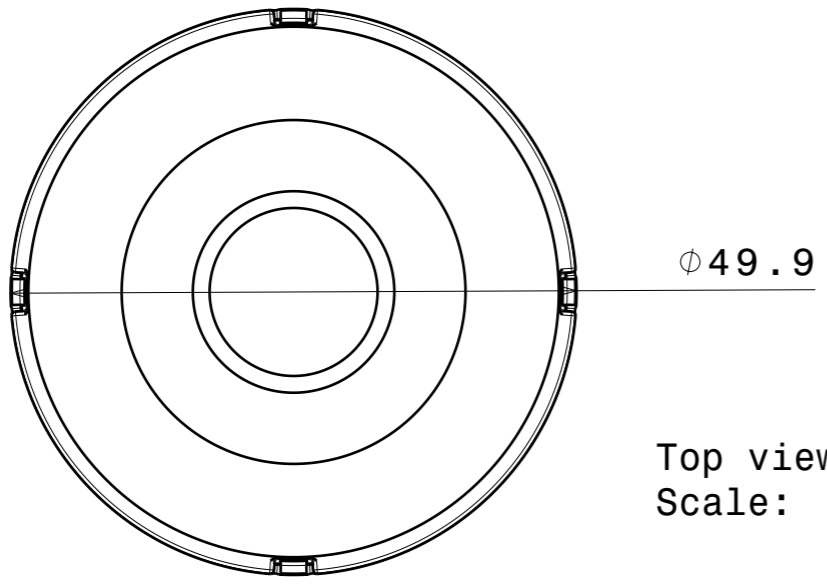
Bottom view  
Scale: 3:2



Isometric view  
Scale: 3:2



Front view  
Scale: 3:2



Top view  
Scale: 3:2

CP17566\_YASMEEN-50-W-C-WHT

**COMPONENTS**

INDEX	PART	TYPE	MATERIAL	COLOR / COATING
1	C17561_YASMEEN-50-HLD-C-WHT		PC	white
2	C17236_Yasmeen-50-W			

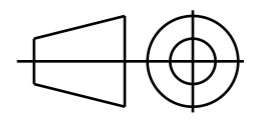
**MECHANICAL DRAWING**

PRODUCT  
**YASMEEN**

**LEDiL<sup>®</sup>**

Plastic moulding general tolerances according to DIN 16901-130 and applies if not otherwise shown in the drawing.  
Silicone moulding general tolerances according to ISO 3302-1 Class M3 and applies if not otherwise shown in the drawing.

FIRST ANGLE PROJECTION:



This drawing is the property of LEDiL Oy. It may not be copied or otherwise distributed without prior written permission from LEDiL Oy.

SCALE	3:2	WEIGHT	27.774 g	A3	SHEET 1/1
-------	-----	--------	----------	----	-----------

**Notes**

<span style="color: red;">●</span>	PCB or heatsink level.
<span style="color: green;">●</span>	LED location
	Ensure LED fitting from a product specific 3D model available from <a href="http://www.ledil.com">www.ledil.com</a>
	For more details about installation please see LEDiL Installation Guide on <a href="http://www.ledil.com">www.ledil.com</a>